

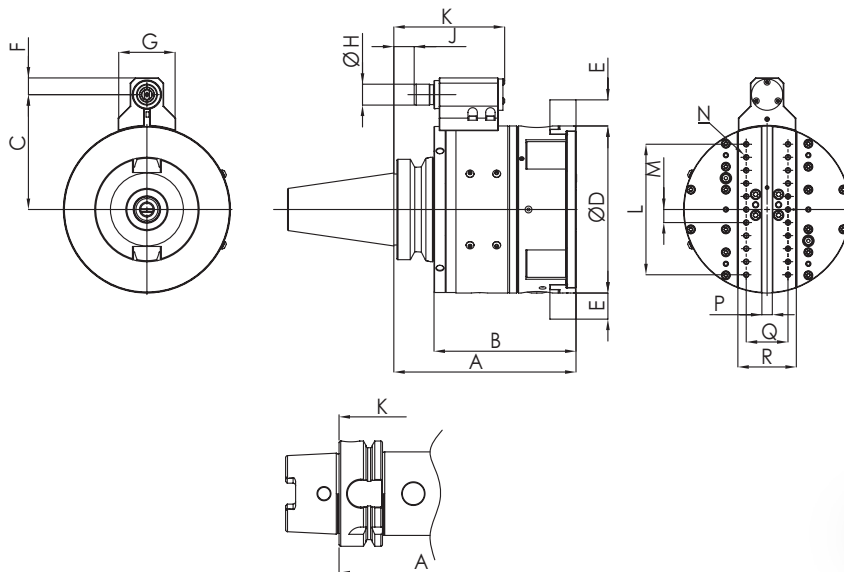


## U 軸搪削頭

## U-Axis Boring and Facing Head

- 可用於一般綜合加工機，經由一個 U 軸伺服馬達控制搪削頭的滑塊徑向位移，且可在主軸旋轉中同步進給加工，可完成車牙、錐度、切槽、逃溝、曲面等加工，實現中心加工機車削的功能。
- 可自動換刀功能，結合一般加工工序，實現不中斷、一機到底的最高加工效率。
- 配合模式化刀盤設計，刀具變化性高，一支刀把即可完成所有工序。
- 增加特殊配重塊設計，可於調整尺寸時，平衡刀具重心偏移問題，減少加工震顫。

- With a U-Drive unit commanding the feed control of the tool slide and the tool placement even during rotation, it is made to offer the solution to a series of processes such as threading, conical threading, grooves, slots, curve surface machining and other complex profiles. It makes it possible to do turning operations on all machining centers.
- It is designed to be used on automatic tool changers to maximize the working efficiency.
- Modular tool-holder slide with interchangeable design permits the various tool applications and machining.
- It is specially designed with two counter-weights for automatic balancing, which move opposite to the slide to effectively eliminate oscillations.



Model No.	A	B	C	ΦD	E	F	G	H	J	K	L	M	N	P	Q	R	N.W. (KG)
BHA-BT40-100	136.5	100	80	100	±12	16	43	20	21.5	93.5	75	12.5	M4	8	31	40	6
BHA-BT50-160	174.5	136	110	160	±25	16	54	20	23.5	106.5	125	12.5	M6	10	40	56	19.5
BHA-HSK63-100	154.5	100	80	100	±12	16	43	20	21.5	111	75	12.5	M4	8	31	40	6

Unit : mm

Model No.	進給 Feed (mm/min)	徑向力 Radial force (daN)	最高轉速 Max. speed (RPM)	扭力 Torque (Nm)	搪孔精度 Boring accuracy	最大加工直徑 Max. workable Ø (mm)	移除率 Mac chip (mm <sup>2</sup> )	表面粗糙度 Roughness (Ra)
BHA-BT40-100	500	150	2000	400	H7	200	0.75	0.8
BHA-BT50-160	500	250	1600	800	H7	320	1	0.8



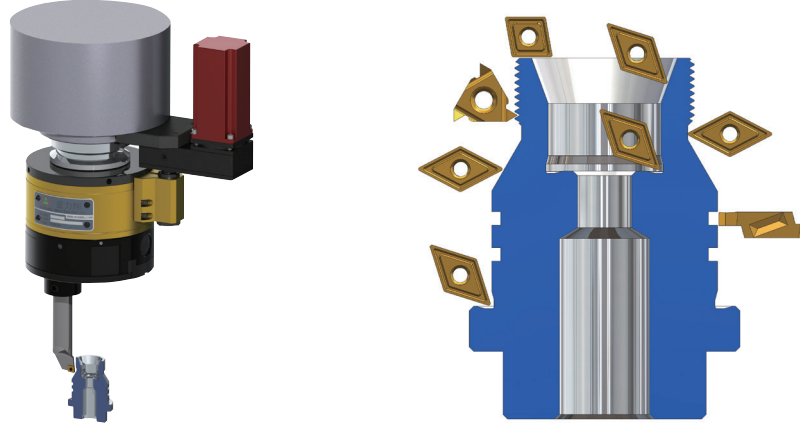
**NEW  
PRODUCT**



## U 軸搪削頭

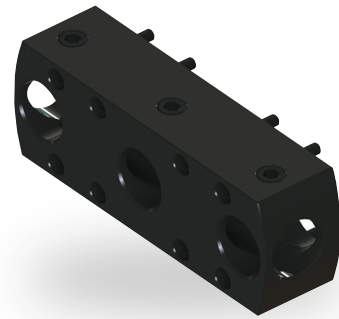
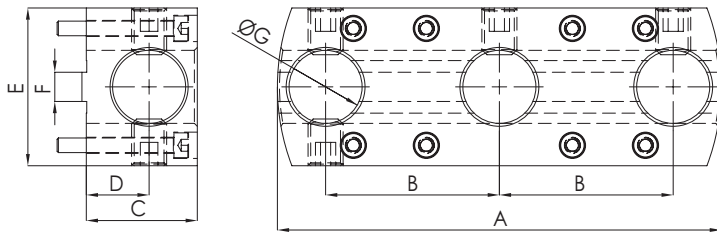
## U-Axis Boring and Facing Head

### 加工應用及範例 Application



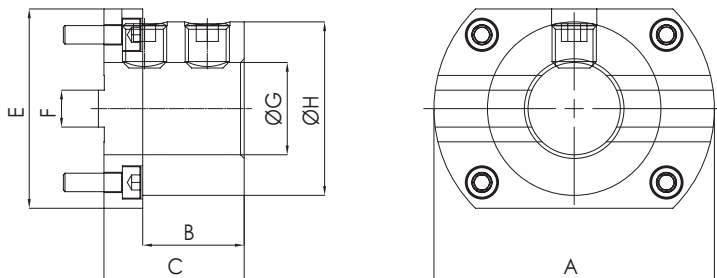
### 選購配件 Optional Accessory

#### 模組化鎖刀座 Modular Tool-Holder Slide



Model No.	A	B	C	D	E	F	G	N.W.(KG)	Order No.
HD4-100.16	95	37	25	14.5	40	8	16	0.6	2AB-00041
HD4-160.25	152	59.5	38	21.5	54	10	25	1.6	2AB-00022

Unit : mm



Model No.	A	B	C	E	F	G	H	N.W.(KG)	Order No.
HD1-100.16	45	17	23.5	40	8	16	30	0.2	2AB-00023
HD1-160.25	76	27.5	38	54	10	25	47	0.6	2AB-00040

Unit : mm