



HOLD WELL

HOLD WELL INDUSTRIAL CO., LTD.



Dovetail Tool Holder
Dovetail Tool Holder

DIN 69881 Dovetail Tool Holder



ISO 9001:2008
ID 9105040234

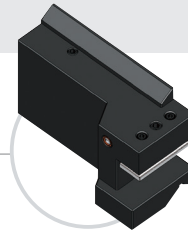
鳩尾刀座

適用於台灣 HP-250 / HP-350 刀塔



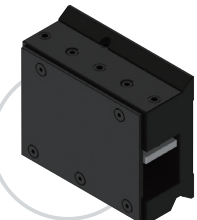
Turning Tool Holder

THV-A2/A1



1

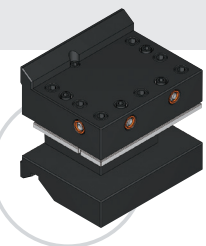
THV-B2/B1



2

Multiple Square Tool Holder

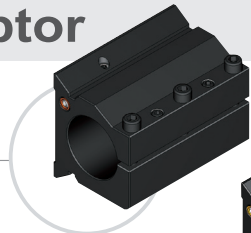
THV-C2/1/3



3

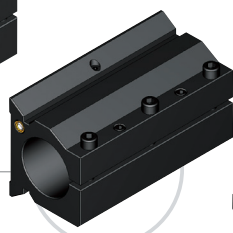
Side Lock Adaptor

THV-D2/1



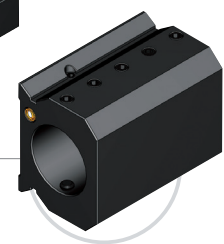
4

THV-D3



5

THV-E2/1/3



6

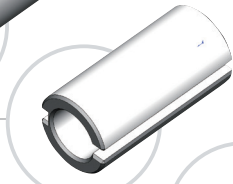
Adaptor Sleeve

THV-AS01/02



7

THV-AS03



8

THV-AS04



9

THV-AS05

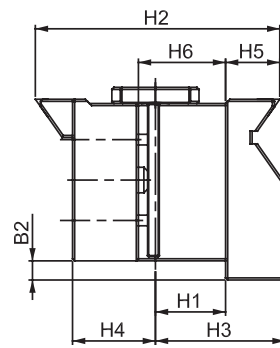
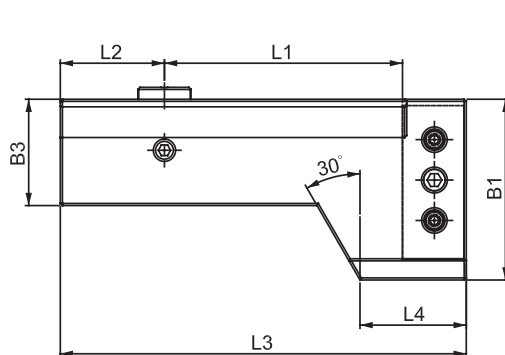


DIN69881 Dovetail Tool Holders



Turning Tool Holder

THV-A2/A1



► DIN 69881 Part 2 Form A2 Right side (as drawn)

Model No.	H2	H1	B1	B2	B3	H3	H4	H5	H6	L1	L2	L3	L4	Ref. No.
THV-A2-115.31.75	115	31.75	85	9	50	60	40	25.5	41	112	49	191	50	A2 — 115 x 31.75
THV-A2-115.32	115	32	85	9	50	60	40	25.5	41	112	49	191	50	A2 — 115 x 32
THV-A2-140.40	140	40	110	12	60	78	57.5	30	53	118	59	209	55	A2 — 140 x 40

Unit : mm

► DIN 69881 Part 2 Form A1 Left side (mirror image)

Model No.	H2	H1	B1	B2	B3	H3	H4	H5	H6	L1	L2	L3	L4	Ref. No.
THV-A1-115.32	115	32	85	9	50	60	40	25.5	41	112	49	191	50	A1 — 115 x 32
THV-A1-140.40	140	40	110	12	60	78	57.5	30	53	118	59	209	55	A1 — 140 x 40

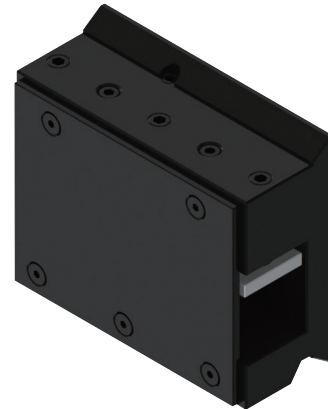
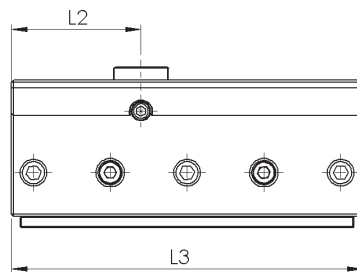
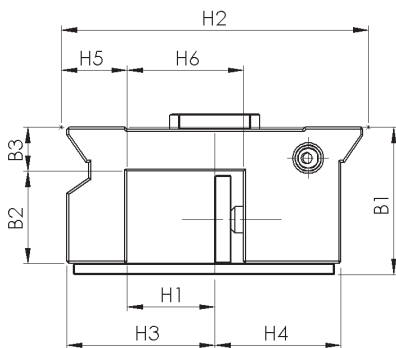
Unit : mm

DIN69881 Dovetail Tool Holders



Turning Tool Holder for Square Tool

THV-B2/B1



► DIN 69881 Part 3 Form B2 Left side (as drawn)

Model No.	H2	H1	B1	B2	B3	H3	H4	H5	H6	L2	L3	Ref. No.
THV-B2-115.31.75	115	31.75	56	33	18	55	40	25.5	41	49	123	B2 — 115 x 31.75
THV-B2-115.32	115	32	56	33	18	55	40	25.5	41	49	123	B2 — 115 x 32
THV-B2-140.40	140	40	67	42	20	67.5	57.5	30	53	59	160	B2 — 140 x 40

Unit : mm

► DIN 69881 Part 3 Form B1 Right side (mirror image)

Model No.	H2	H1	B1	B2	B3	H3	H4	H5	H6	L2	L3	Ref. No.
THV-B1-115.31.75	115	31.75	56	33	18	55	40	25.5	41	49	123	B1 — 115 x 31.75
THV-B1-115.32	115	32	56	33	18	55	40	25.5	41	49	123	B1 — 115 x 32
THV-B1-140.40	140	40	67	42	20	67.5	57.5	30	53	59	160	B1 — 140 x 40

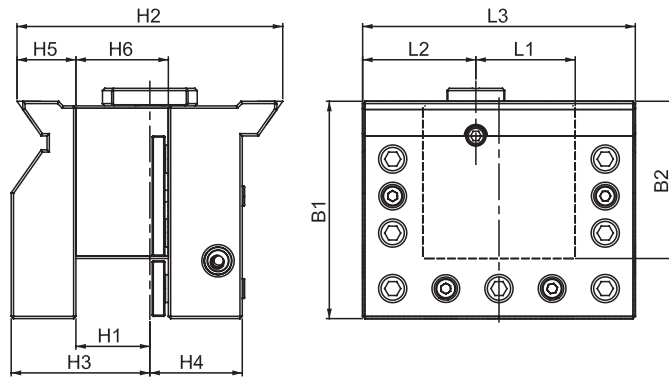
Unit : mm

DIN69881 Dovetail Tool Holders



Multiple Square Tool Holder

THV-C2/1/3



► DIN 69881 Part 4 Form C2 Left side (as drawn)

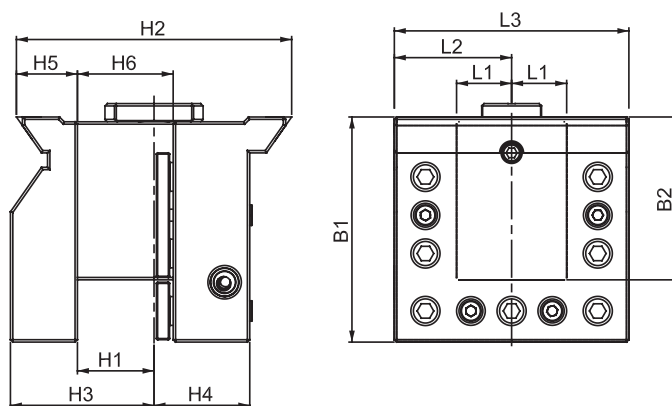
Model No.	H2	H1	B1	B2	H3	H4	H5	H6	L1	L2	L3	Ref. No.
THV-C2-115.32	115	32	94	68	60	40	25.5	41	43	49	118	C2 — 115 x 32
THV-C2-140.40	140	40	115	83	78	57.5	30	53	53	59	144	C2 — 140 x 40

Unit : mm

► DIN 69881 Part 4 Form C1 Right side (mirror image)

Model No.	H2	H1	B1	B2	H3	H4	H5	H6	L1	L2	L3	Ref. No.
THV-C1-115.32	115	32	94	68	60	40	25.5	41	43	49	118	C1 — 115 x 32
THV-C1-140.40	140	40	115	83	78	57.5	30	53	53	59	144	C1 — 140 x 40

Unit : mm



► DIN 69881 Part 4 Form C3

Model No.	H2	H1	B1	B2	H3	H4	H5	H6	L1	L2	L3	Ref. No.
THV-C3-115.32	115	32	94	67	60	40	25.5	40	23	49	98	C3 — 115 x 32
THV-C3-140.40	140	40	115	83	78	57.5	30	53	27	59	118	C3 — 140 x 40

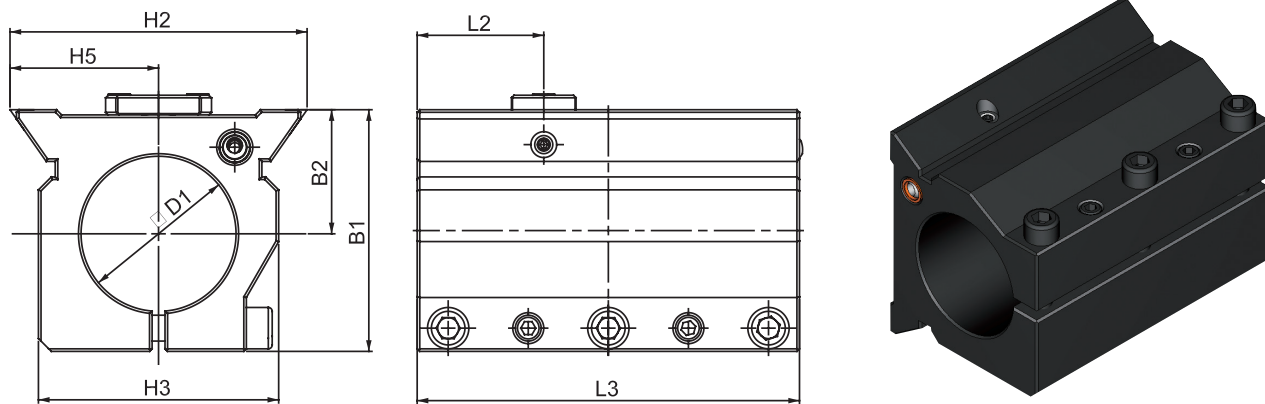
Unit : mm

DIN69881 Dovetail Tool Holders



Side Lock Adaptor

THV-D2/1



► DIN 69881 Part 5 Form D2 Right side (as drawn)

Model No.	NG Size	H2	D1 H7	B1	B2	H3	H5	L2	L3	Ref. No.
THV-D2-72.40	20	72	40	76	35	68	36	39	110	D2 — 72 x 40
THV-D2-72.50	20	72	50	76	35	68	36	39	110	D2 — 72 x 50
THV-D2-115.60	32	115	60	94	48	93	57.5	49	148	D2 — 115 x 60
THV-D2-115.80	32	115	80	125	63	115	57.5	49	148	D2 — 115 x 80
THV-D2-140.80	40	140	80	125	63	115	70	59	178	D2 — 140 x 80
THV-D2-140.100	40	140	100	140	70	135	70	59	178	D2 — 140 x 100

Unit : mm

► DIN 69881 Part 5 Form D1 Left side (mirror image)

Model No.	NG Size	H2	D1 H7	B1	B2	H3	H5	L2	L3	Ref. No.
THV-D1-72.40	20	72	40	76	35	68	36	39	110	D1 — 72 x 40
THV-D1-72.50	20	72	50	76	35	68	36	39	110	D1 — 72 x 50
THV-D1-115.60	32	115	60	94	48	93	57.5	49	148	D1 — 115 x 60
THV-D1-115.80	32	115	80	125	63	115	57.5	49	148	D1 — 115 x 80
THV-D1-140.80	40	140	80	125	63	115	70	59	178	D1 — 140 x 80
THV-D1-140.100	40	140	100	140	70	135	70	59	178	D1 — 140 x 100

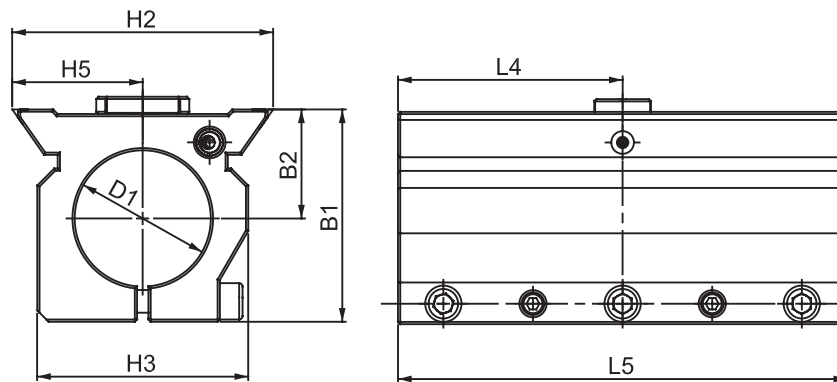
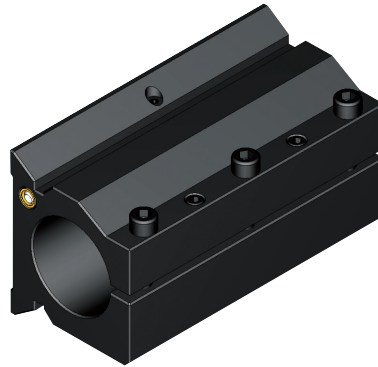
Unit : mm

DIN69881 Dovetail Tool Holders



Side Lock Adaptor

THV-D3



► DIN 69881 Part 5 Form D3

Model No.	NG Size	H2	D1 H7	B1	B2	H3	H5	L4	L5	Ref. No.
THV-D3-72.40	20	72	40	76	35	68	36	75	150	D3 — 72 x 40
THV-D3-115.60	32	115	60	93.5	48	93	57.5	99	198	D3 — 115 x 60
THV-D3-115.63.5	32	115	63.5	93.5	48	93	57.5	99	198	D3 — 115 x 63.5
THV-D3-115.76.2	32	115	76.2	93.5	48	93	57.5	99	198	D3 — 115 x 76.2
THV-D3-115.80	32	115	80	93.5	48	93	57.5	99	198	D3 — 115 x 80
THV-D3-140.80	40	140	80	125	63	115	70	119	238	D3 — 140 x 80
THV-D3-140.100	40	140	100	125	63	115	70	119	238	D3 — 140 x 100

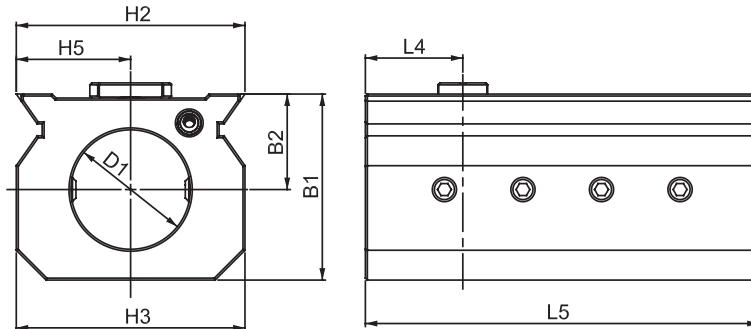
Unit : mm

DIN69881 Dovetail Tool Holders



Side Lock Adaptor

THV-E2/1/3



► DIN 69881 Part 5 Form E2 Right side (as drawn)

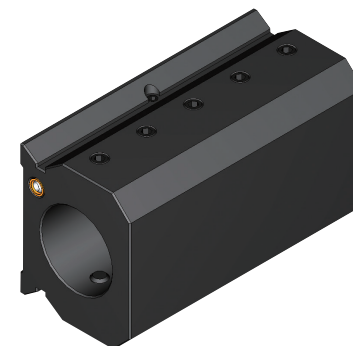
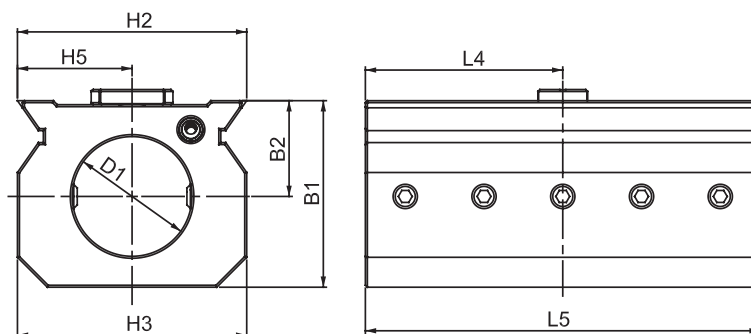
Model No.	NG Size	H2	D1 H7	B1	B2	H3	H5	L4	L5	Ref. No.
THV-E2-115.60	32	115	60	93.5	48	115	57.5	49	148	E2 — 115 x 60
THV-E2-115.63.5	32	115	63.5	93.5	48	115	57.5	49	148	E2 — 115 x 63.5
THV-E2-140.80	40	140	80	125	63	115	70	59	178	E2 — 140 x 80

Unit : mm

► DIN 69881 Part 5 Form E1 Left side (mirror image)

Model No.	NG Size	H2	D1 H7	B1	B2	H3	H5	L4	L5	Ref. No.
THV-E1-115.60	32	115	60	93.5	48	115	57.5	49	148	E1 — 115 x 60
THV-E1-115.63.5	32	115	63.5	93.5	48	115	57.5	49	148	E1 — 115 x 63.5
THV-E1-140.80	40	140	80	125	63	115	70	59	178	E1 — 140 x 80

Unit : mm



► DIN 69881 Part 5 Form E3

Model No.	NG Size	H2	D1 H7	B1	B2	H3	H5	L4	L5	Ref. No.
THV-E3-115.60	32	115	60	93.5	48	115	57.5	99	198	E3 — 115 x 60
THV-E3-115.63.5	32	115	63.5	93.5	48	115	57.5	99	198	E3 — 115 x 63.5
THV-E3-140.80	40	140	80	125	63	115	70	119	238	E3 — 140x 80

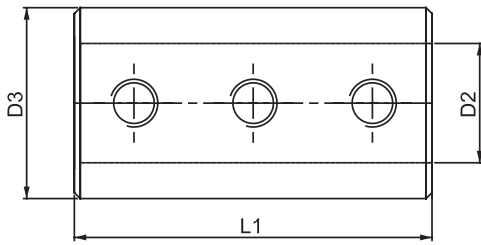
Unit : mm

DIN69881 Dovetail Tool Holders



Adaptor Sleeve

THV-AS01/02

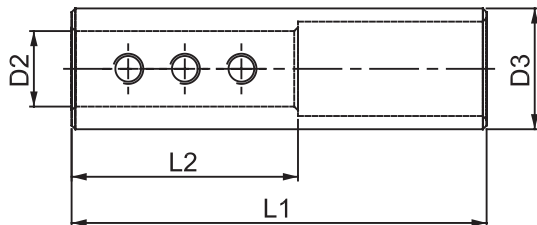


Model No.	D3	D2	L1
THV-AS01-32.10	32	10	60
THV-AS01-32.12	32	12	60
THV-AS01-32.15	32	15	60
THV-AS01-32.16	32	16	60
THV-AS01-32.20	32	20	60
THV-AS01-40.10	40	10	80
THV-AS01-40.12	40	12	80
THV-AS01-40.15	40	15	80
THV-AS01-40.16	40	16	80
THV-AS01-40.20	40	20	80
THV-AS01-40.25	40	25	80
THV-AS01-50.10	50	10	100
THV-AS01-50.12	50	12	100
THV-AS01-50.15	50	15	100
THV-AS01-50.16	50	16	100
THV-AS01-50.20	50	20	100

Unit : mm

Model No.	D3	D2	L1
THV-AS01-50.25	50	25	100
THV-AS01-50.32	50	32	100
THV-AS01-60.15	60	15	115
THV-AS01-60.16	60	16	115
THV-AS01-60.20	60	20	115
THV-AS01-60.25	60	25	115
THV-AS01-60.32	60	32	115
THV-AS01-60.40	60	40	115
THV-AS01-80.32	80	32	130
THV-AS01-80.40	80	40	130
THV-AS01-80.50	80	50	130
THV-AS01-80.60	80	60	130
THV-AS01-100.40	100	40	170
THV-AS01-100.50	100	50	170
THV-AS01-100.60	100	60	170
THV-AS01-100.80	100	80	170

Unit : mm



Model No.	D3	D2	L1	L2
THV-AS02-32.10	32	10	110	40
THV-AS02-32.12	32	12	110	40
THV-AS02-32.15	32	15	110	50
THV-AS02-32.16	32	16	110	50
THV-AS02-32.20	32	20	110	60
THV-AS02-40.10	40	10	130	40
THV-AS02-40.12	40	12	130	40
THV-AS02-40.15	40	15	130	50
THV-AS02-40.16	40	16	130	50
THV-AS02-40.20	40	20	130	60
THV-AS02-40.25	40	25	130	70
THV-AS02-50.10	50	10	140	40
THV-AS02-50.12	50	12	140	40
THV-AS02-50.15	50	15	140	50

Unit : mm

Model No.	D3	D2	L1	L2
THV-AS02-50.16	50	16	140	50
THV-AS02-50.20	50	20	140	60
THV-AS02-50.25	50	25	140	70
THV-AS02-50.32	50	32	140	80
THV-AS02-60.15	60	15	150	50
THV-AS02-60.16	60	16	150	50
THV-AS02-60.20	60	20	150	60
THV-AS02-60.25	60	25	150	70
THV-AS02-60.32	60	32	150	80
THV-AS02-60.40	60	40	150	100
THV-AS02-80.32	80	32	180	80
THV-AS02-80.40	80	40	180	100
THV-AS02-80.50	80	50	180	120
THV-AS02-80.60	80	60	180	140

Unit : mm

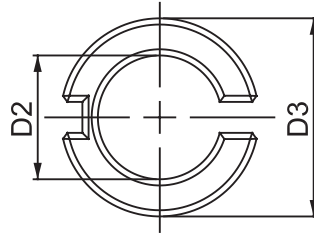
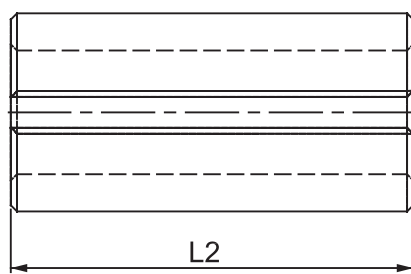
Adaptor Sleeve with other dimensions on request

DIN69881 Dovetail Tool Holders



Adaptor Sleeve Split

THV-AS03



Model No.	D3	D2	L2
THV-AS03-32.8	32	8	65
THV-AS03-32.10	32	10	65
THV-AS03-32.12	32	12	65
THV-AS03-32.12,7	32	12.7	65
THV-AS03-32.14	32	14	65
THV-AS03-32.15	32	15	65
THV-AS03-32.16	32	16	65
THV-AS03-32.18	32	18	65
THV-AS03-32.19,05	32	19.05	65
THV-AS03-32.20	32	20	65
THV-AS03-32.25	32	25	65
THV-AS03-32.25,4	32	25.4	65
THV-AS03-40.8	40	8	75
THV-AS03-40.10	40	10	75
THV-AS03-40.12	40	12	75
THV-AS03-40.12,7	40	12.7	75
THV-AS03-40.14	40	14	75
THV-AS03-40.15	40	15	75
THV-AS03-40.16	40	16	75
THV-AS03-40.18	40	18	75
THV-AS03-40.19,05	40	19.05	75
THV-AS03-40.20	40	20	75
THV-AS03-40.25	40	25	75
THV-AS03-40.25,4	40	25.4	75

Model No.	D3	D2	L2
THV-AS03-40.30	40	30	75
THV-AS03-40.32	40	32	75
THV-AS03-50.10	50	10	85
THV-AS03-50.12	50	12	85
THV-AS03-50.16	50	16	85
THV-AS03-50.20	50	20	85
THV-AS03-50.25	50	25	85
THV-AS03-50.30	50	30	85
THV-AS03-50.32	50	32	85
THV-AS03-50.40	50	40	85
THV-AS03-60.12	60	12	95
THV-AS03-60.16	60	16	95
THV-AS03-60.20	60	20	95
THV-AS03-60.25	60	25	95
THV-AS03-60.30	60	30	95
THV-AS03-60.32	60	32	95
THV-AS03-60.40	60	40	95
THV-AS03-60.50	60	50	95
THV-AS03-80.25	80	25	125
THV-AS03-80.32	80	32	125
THV-AS03-80.40	80	40	125
THV-AS03-80.50	80	50	125
THV-AS03-80.60	80	60	125

Unit : mm

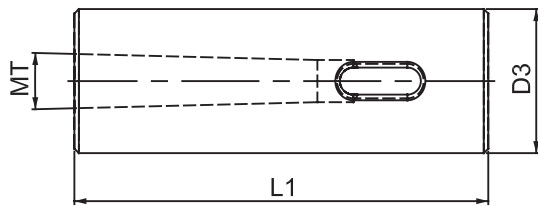
Adaptor Sleeve with other dimensions on request

DIN69881 Dovetail Tool Holders



Adaptor Sleeve

THV-AS04/05



► Morse Taper Sleeve

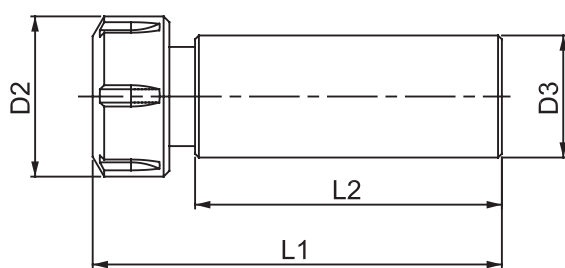
Model No.	D3	MT	L1
THV-AS04-32.1.92	32	1	92
THV-AS04-32.2.92	32	2	92
THV-AS04-32.3.92	32	3	92
THV-AS04-40.1.92	40	1	92
THV-AS04-40.2.92	40	2	92
THV-AS04-40.3.92	40	3	92
THV-AS04-40.4.115	40	4	115
THV-AS04-50.2.115	50	2	115
THV-AS04-50.3.115	50	3	115
THV-AS04-50.4.115	50	4	115

Unit : mm

Model No.	D3	MT	L1
THV-AS04-60.3.148	60	3	148
THV-AS04-60.4.148	60	4	148
THV-AS04-60.5.148	60	5	148
THV-AS04-60.3.180	60	3	180
THV-AS04-60.4.180	60	4	180
THV-AS04-60.5.180	60	5	180
THV-AS04-80.4.180	80	4	180
THV-AS04-80.5.180	80	5	180
THV-AS04-100.4.180	100	4	180
THV-AS04-100.5.180	100	5	180

Unit : mm

Morse Taper Sleeve with other dimensions on request



► Collet Chuck with cylindrical shaft

Model No.	D2	D3	L1	L2	Collets	Capacity	Key
THV-AS05-32.80.20	42	32	120	80	ER20	1-13	225
THV-AS05-40.88.20	42	40	120	88	ER20	1-13	225
THV-AS05-32.90.25	50	32	142	90	ER25	2-16	232
THV-AS05-40.100.32	63	40	160	100	ER32	3-20	240
THV-AS05-50.100.32	63	50	160	100	ER32	3-20	240

Unit : mm



豪力輝工業股份有限公司
HOLD WELL INDUSTRIAL CO., LTD.
台中市大雅區雅環路2段120巷10弄31號
31, Aly. 10, Ln. 120, Sec. 2, Yahuan Rd., DaYa Dist.,
Taichung City 42869, Taiwan (R.O.C.)
www.holdwell.com
sales@mail.holdwell.com